



Technical characteristics M8

Type	3 poles	4 poles
------	---------	---------

General data

Conductor cross section	max. 0.5 mm ² max. AWG 20	max. 0.5 mm ² max. AWG 20
Cable diameter	4 – 5.5 mm	4 – 5.5 mm
Temperature range	-30 °C ... +85 °C	-30 °C ... +85 °C
Degree of protection	IP67	IP67
Mating cycles	≥ 100	≥ 100
Recommended tightening torque / Hexagonal wrench Knurled screw / nut	0.4 Nm / SW 13	0.4 Nm / SW 13
Recommended tightening torque screw termination	0.1 Nm	0.1 Nm

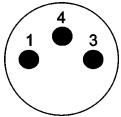
Electrical characteristics

Rated current	4 A @ 40 °C	4 A @ 40 °C
Rated voltage	60 V	30 V

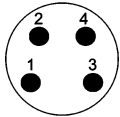
Materials

Contact material	Brass	Brass
Contact plating	Gold	Gold
Contact carrier material	PA	PA
Housing material	PA, zinc die-cast (shielded)	PA, zinc die-cast (shielded)
Material knurled screw / nut	Zinc die-cast	Zinc die-cast

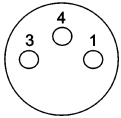
M8 with screw termination, unshielded



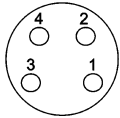
Male, 3 poles



Male, 4 poles



Female, 3 poles



Female, 4 poles



Identification	Part number	Drawing	Dimensions in mm
----------------	-------------	---------	------------------

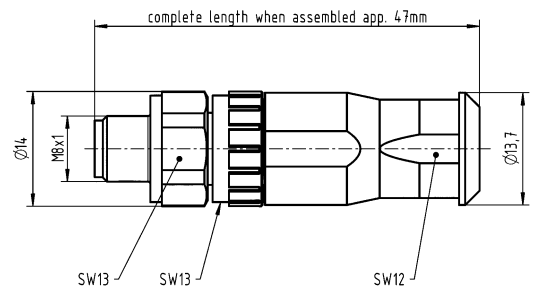
M8 screw, unshielded



Male, straight version

3 poles
4 poles

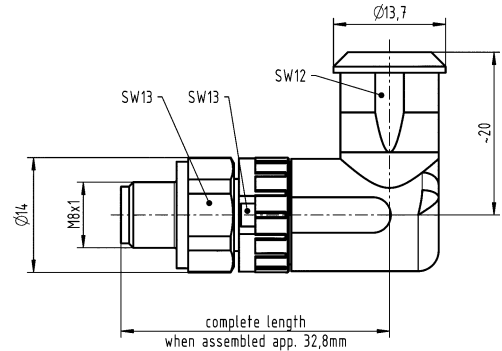
21 02 359 1301
21 02 359 1401



Male, angled version

3 poles
4 poles

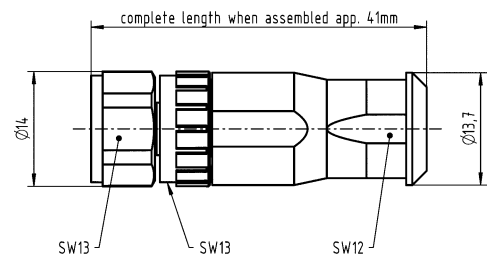
21 02 359 3301
21 02 359 3401



Female, straight version

3 poles
4 poles

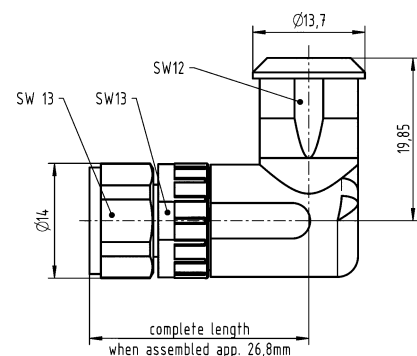
21 02 359 2301
21 02 359 2401



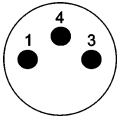
Female, angled version

3 poles
4 poles

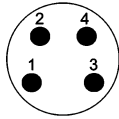
21 02 359 4301
21 02 359 4401



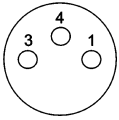
M8 with screw termination, shielded



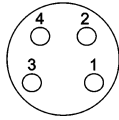
Male, 3 poles



Male, 4 poles



Female, 3 poles



Female, 4 poles



Identification

Part number

Drawing

Dimensions in mm

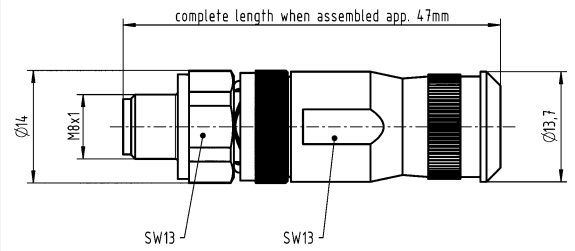
M8 screw, shielded



Male, straight version

3 poles
4 poles

21 02 369 1301
21 02 369 1401



Female, straight version

3 poles
4 poles

21 02 369 2301
21 02 369 2401

