

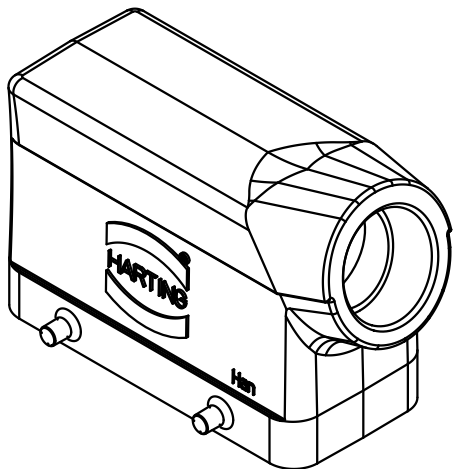
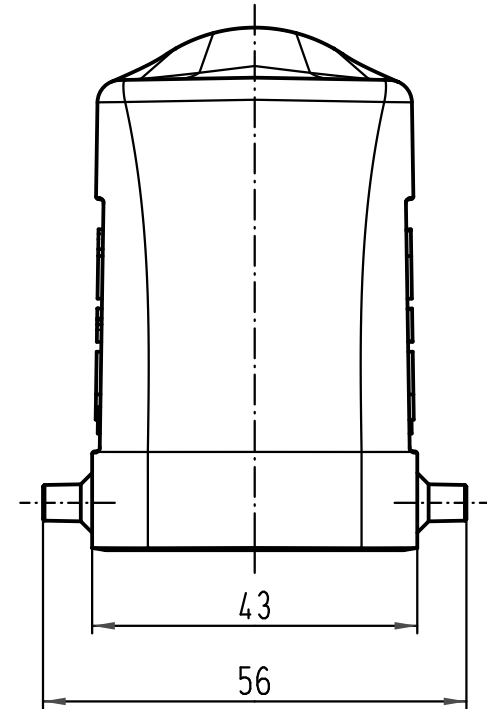
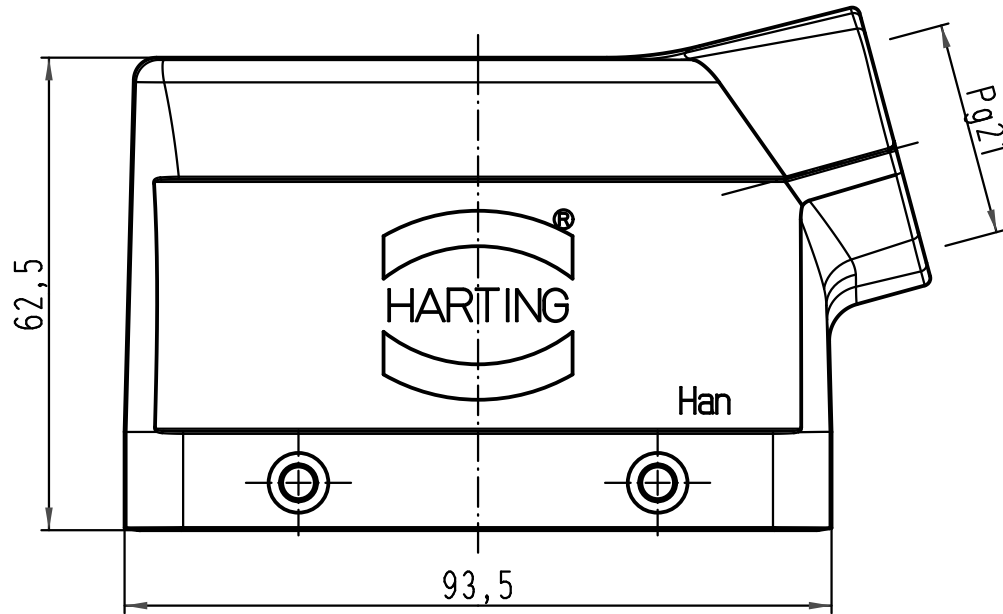
1 2 3 4 5 6

A

B

C

D



| | | | | | | |
|---|------|-------------------|---|--------------|---|---|
| All Dimensions in mm Original Size DIN A 4 | | Techn. Character. | | | Nicht tolerierte Maß/Free size tolerances | |
| | | | Dat. | Name | Maßstab/Scale 1:1 | Han 16B-gs-21 Tüllengehäuse, schwarz hood, black |
| | | | Detail. | 08.07.08 Bor | | |
| | | | Insp. | Sch | | |
| | | | Stand. | | | |
| 413993 | | | HARTING Electric GmbH & Co. KG D-32339 Espelkamp | | | TB 09 30 716 1520 |
| Mod. | Dat. | Name | | | | |