

**Contents**

Page

Features .....	<b>12.02</b>
Technical characteristics .....	<b>12.03</b>
Frame .....	<b>12.04</b>
Accessories .....	<b>12.04</b>
Plug sockets .....	<b>12.05</b>
Data connectors .....	<b>12.07</b>
Wires .....	<b>12.10</b>
Gender Changer .....	<b>12.10</b>

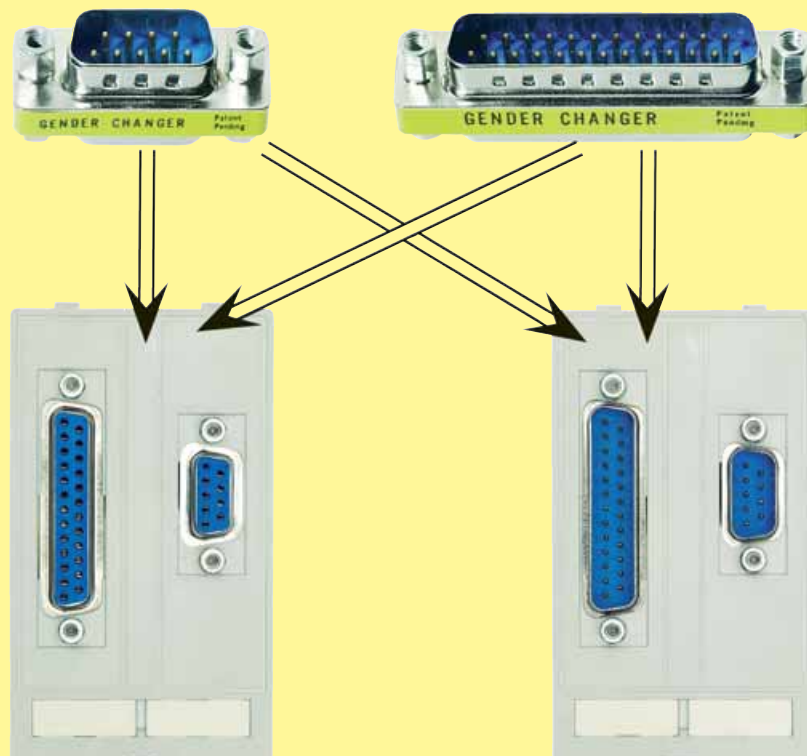
## Features

- Suitable for rough industrial environments (Degree of protection IP 65 with closed cover)
- Plug sockets for the European and international market
- Standard interfaces for easy connection of devices
- Modular assembly
- Professional design

## Termination technology of data connector

### Gender Changer

- Termination technology pluggable from both sides
- No soldering necessary
- Assembly male/female interchangeable



## Technical characteristics

### Frames

Material	zinc die cast, smouthed surface
Suitable for wall thickness	1 ... 5 mm
Dimensions outside (H x W x D)	single: 114 x 66 x 32 ... 62 mm (depending on equipment) double: 114 x 131 x 32 ... 62 mm (depending on equipment)
Operating temperature range	-10 °C ... +60 °C
Stock temperature range	-25 °C ... +60 °C
Degree of protection	IP 65

	<u>Germany (VDE)</u>	<u>USA (NEMA5-15)/ Euro</u>	<u>France (UTE)</u>	<u>Switzerland</u>
Nominal voltage, max.	250 V AC	125 V AC	250 V AC	250 V AC
Nominal frequency	50 Hz AC	50 Hz AC	50 Hz AC	50 Hz AC
Nominal current, max.	10 ... 16 A	15 A	10 ... 16 A	10 A
LED display	Yellow 1)	-	Yellow	-
Termination	Screw terminal	Screw terminal	Screw terminal	Spring clamp terminal
Mounting depth assembled	approx. 62 mm	approx. 20 mm	approx. 62 mm	approx. 20 mm

	<u>Great Britain (BS)</u>	<u>Italy (CEI 23-16)</u>	<u>Australia / China</u>	<u>Denmark</u>
Nominal voltage, max.	250 V AC	250 V AC	250 V AC	250 V AC
Nominal frequency	50/60 Hz AC	50 Hz AC	50/60 Hz AC	50 Hz AC
Nominal current, max.	13 A	10 ... 16 A	10 A	13 A
LED display	-	-	-	-
Termination	Screw terminal	Screw terminal	Screw terminal	Spring clamp terminal
Mounting depth assembled	approx. 20 mm	approx. 20 mm	approx. 20 mm	approx. 20 mm

### Data connectors

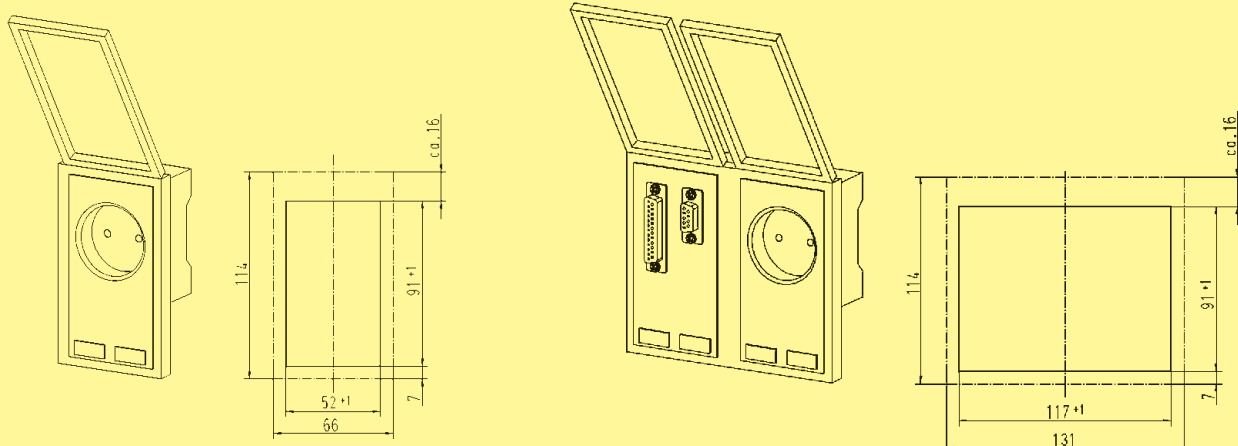
	<u>D-Sub</u>	<u>RJ45</u>	<u>USB</u>
Nominal voltage, max.	125 V AC / 150 V DC	50 V AC/DC	30 V AC/DC
Nominal current, max.	3 A	1 A	1 A
Locking	UNC 4-40 bolts	stop bolt	snap-in
Specification	DIN 41 652 / IEC 807	Cat. 5e	size A acc. to 2.0
Mounting depth assembled	approx. 32 mm	approx. 32 mm	approx. 80 mm

### Termination

Gender Changer Termination technology pluggable from both sides

## Drawing

Panel cut out (————) for not centred assembly to the outer edge (-----) of the front panel suitable to wall thickness 1 ... 5 mm



1) Plug socket Yellow without LED display

Frame

Part number

Depiction

single

metal version, nickel plated  
electrically conductive  
IP 65

transparent plastic cover

**39 50 000 0100**

metal cover

**39 50 000 0110**



double

metal version, nickel plated  
electrically conductive  
IP 65

transparent plastic cover

**39 50 000 0200**

metal cover

**39 50 000 0210**



Han-Port

Accessories

Part number

Depiction

Blind plate

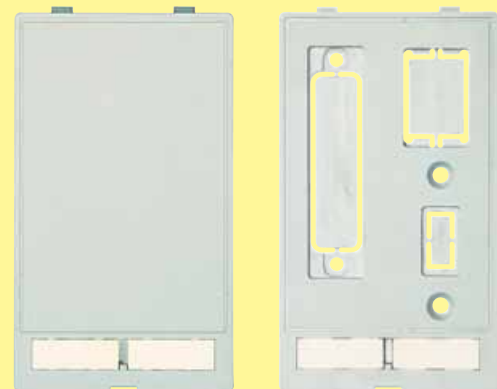
free space for self assembly  
of connectors or switches  
free space: 45 x 75 mm

flat

**39 50 000 0890**

with perforated cut-out for  
Gender Changer RJ45, USB and D-Sub 25

**39 50 000 0851**



Identification strips

set of 20 pieces

**39 50 000 0900**



Plug sockets

Part number

Depiction

Germany (VDE)  
with LED display  
screw terminals for max. 6 mm<sup>2</sup>  
connection at the rear

**39 50 001 0001**



Germany (VDE)  
for assembly in front of main switch  
flourescent colour yellow (RAL 1016)  
without LED display  
screw terminals for max. 6 mm<sup>2</sup>  
connection at the rear

**39 50 001 0002**



USA / Euro  
finger protected  
screw terminals for max. AWG 14 (2.5 mm<sup>2</sup>)

**39 50 001 0010**

USA (NEMA5-15) / Japan  
finger protected  
screw terminals for max. AWG 14 (2.5 mm<sup>2</sup>)

**39 50 001 0004**



France (UTE)  
with LED display  
screw terminals for max. 6 mm<sup>2</sup>  
connection at the rear

**39 50 001 0005**

Great Britain (BS)  
finger protected  
screw terminals for max. 4 mm<sup>2</sup>

**39 50 001 0006**



Han-Port

Plug sockets

Part number

Depiction

Italy (CEI 23-16)  
double  
finger protected  
screw terminals for max. 2.5 mm<sup>2</sup>

**39 50 001 0007**



Australia / China  
screw terminals for max. 2.5 mm<sup>2</sup>

**39 50 001 0009**



Denmark  
spring clamp terminals for max. 2.5 mm<sup>2</sup>

**39 50 001 0017**



Switzerland  
spring clamp terminals for max. 1.5 mm<sup>2</sup>

**39 50 001 0012**



Han-Port

## Data connectors

Part number

Depiction

2x D-Sub 9  
2x female/male  
Gender Changer  
not screened

**39 50 003 0020**

1x D-Sub 9  
1x female/female  
Gender Changer  
not screened

**39 50 003 0024**

1x D-Sub 9, D-Sub 25  
2x female/male  
Gender Changer  
not screened

**39 50 003 0040**

1x D-Sub 25  
1x female/male  
Gender Changer  
not screened

**39 50 003 0074**

Han-Port

Data connectors

Part number

Depiction

1x RJ45, 2x D-Sub 9  
 1x RJ45, 8-pins, metal, Cat. 5e  
 female/female, Gender Changer  
 1x D-Sub 9  
 female/female, Gender Changer  
 1x D-Sub 9  
 male/male, Gender Changer  
 not screened

**39 50 003 0111**



1x RJ45, D-Sub 9, D-Sub 25  
 1x RJ45, 8-pins, metal, Cat. 5e  
 female/female, Gender Changer  
 1x D-Sub 9  
 female/male, Gender Changer  
 1x D-Sub 25  
 female/male, Gender Changer  
 not screened

**39 50 003 0170**



Han-Port

2x USB size A  
 2x USB size A acc. to specification 2.0  
 female/female, Gender Changer  
 screened

**39 50 002 0093**



2x RJ45  
 2x RJ45, 8-pins, metal, Cat. 5e  
 female/female, Gender Changer  
 screened

**39 50 002 0120**



Data connectors

Part number

Depiction

1x USB size A, RJ45, D-Sub 9  
 1x USB size A acc. to specification 2.0 female/female, Gender Changer  
 1x RJ45, 8-pins, metal, Cat. 5e female/female, Gender Changer  
 1x D-Sub 9 female/male, Gender Changer  
 screened

**39 50 002 0143**



1x USB size A, RJ45, D-Sub 25  
 1x USB size A acc. to specification 2.0 female/female, Gender Changer  
 1x RJ45, 8-pins, metal, Cat. 5e female/female, Gender Changer  
 1x D-Sub 25 female/male, Gender Changer  
 screened

**39 50 002 0145**



1x USB size A, RJ45, 2x D-Sub 9  
 1x USB size A acc. to specification 2.0 female/female, Gender Changer  
 1x RJ45, 8-pins, metal, Cat. 5e female/female, Gender Changer  
 2x D-Sub 9 male/male, Gender Changer  
 screened

**39 50 002 0117**



Han-Port

Wires

Part number

Depiction

	Length	Termination	
D-Sub 9	2 m	male/male	<b>39 50 903 0010</b>
	5 m	male/male	<b>39 50 903 0011</b>
	2 m	female/male	<b>39 50 903 0020</b>
	5 m	female/male	<b>39 50 903 0021</b>
D-Sub 25	1.8 m	female/male	<b>39 50 903 0040</b>
	5 m	female/male	<b>39 50 903 0041</b>
USB	2 m	USB	<b>39 50 903 0050</b>
	5 m	USB	<b>39 50 903 0051</b>
RJ45	2 m	8-pins, metal, Cat. 5e	<b>39 50 903 0060</b>
	5 m	8-pins, metal, Cat. 5e	<b>39 50 903 0061</b>



Han-Port

Gender Changer

Part number

Depiction

	Termination	
D-Sub 9	female/female	<b>39 50 904 0030</b>
	female/male	<b>39 50 904 0031</b>
	male/male	<b>39 50 904 0032</b>
D-Sub 25	female/female	<b>39 50 904 0050</b>
USB	female/female, size A acc. to specification 2.0	<b>39 50 904 0020</b>
RJ45	female/female, 8-pins, Cat. 5e	<b>39 50 904 0010</b>

